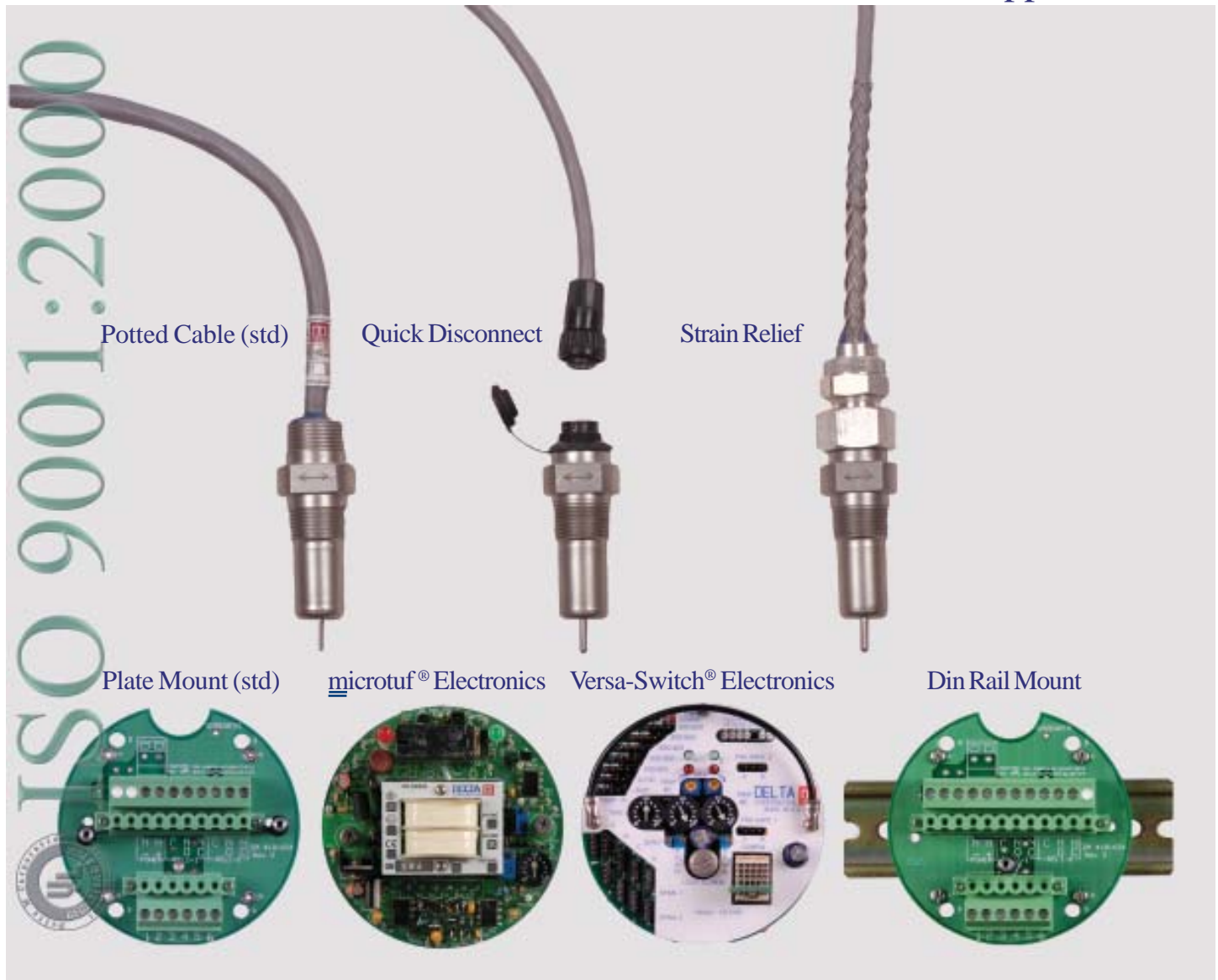


# DELTA CORPORATION **Switch Kit(SK)** Versa-Switch® & microtuf® For Both Flow & Level Applications



This product line is designed for organizations that are building their own systems and have no need for the housings normally associated with industrial instrumentation. By eliminating the housing you not only save space but you also reduce the cost of the instruments. The removable plug in electronics allows you to incorporate these switches into your systems in such a way that the electronics remain easily removeable and replaceable without disturbing your wiring system. Our mounting plates are also available for DIN rail applications to further simplify installations.

- Both VERSA-SWITCH® and microtuf® family of switches are available.
- Handles both Mass flow and level switching applications equally well.
- Temperature outputs also available.
- All Welded Stainless Steel Constructon
- Free of all moving parts that can stick, coat or fail.
- Self heating sensor design improves repeatability. No separate heater to fail or slow response time.
- Removable, plug in electronics.

# Switch Kit

## SPECIFICATIONS

### Sensor

**Type:**

Thermal Differential, dual RTD sensors  
with no separate heater

**Process Connection:**

Standard 0.75 inch MNPT  
Optionally 0.25 inch and larger NPT and various other  
process connections such as sanitary, SP76, Low Flow  
and flanges

**Insertion Length:**

Standard 2.0 inch  
Optionally 0.5 inch or greater

**Operating Temperature Range:**

Standard -100°F to 390°F (-70°C to +200°C)

**Materials of Construction:**

Standard 316L Series Stainless Steel  
Optionally Hastelloy, Monel, Inconel and other  
exotic materials

**Operating Pressure Range:**

Standard to 3000 psia (207 bar)

### Electronics

**Power:**

Standard 110VAC Optionally 220VAC, 24VAC, or  
24VDC at 3 watts (No heater power required)

**Operating Temperature Range:**

Standard -40°F to +140°F (-40°C to +60°C)

microtuf®

**Outputs:**

DPDT Relay contacts rated at 5 amp, 250 VAC with  
fail safe capability

**VERSA-SWITCH®**

Independent primary relay DPDT and secondary  
relay SPDT, contacts rated at 5 amp, 250 VAC with  
fail safe capability; built in time delay 0 to 300  
seconds on each channel

**Self-Test:**

Integral and Automatic during power up

### Instrument

**Operating Range:**

Adjustable Flow Rate (feet per second - fps), typical: 0.01  
to 5.0 fps liquids and 0.1 to 500 fps gases

**Response Time:**

Sensor response time 0.5 to 10 seconds media dependent

**Stability:**

Drift < .5% from calibrated setpoint over a range of ±50°  
F. Temperature compensated throughout entire range

**Repeatability:**

±1% of setpoint

**Approvals:**

Switch Kits carry no approvals.

## Model Number Selection Guide

**Code - Model**

VS51SK - Dual Channel VERSA-SWITCH  
FS51SK - Single Channel Mass Flow VERSA-SWITCH  
LS51SK - Single Channel Point Level VERSA-SWITCH  
FS42SK - Microtuf Flow Switch  
LS32SK - Microtuf Level Switch

**Code - Process Connection**

3A1 - 1.5 Inch Sanitary w/ 3A Stamp  
075 - 0.75 Inch MNPT (std)  
050 - 0.50 Inch MNPT  
100 - 1 Inch MNPT  
RA1 - Raised Face Flange 150 # 1 Inch  
RA2 - Raised Face Flange 150 # 2 Inch  
RB1 - Raised Face Flange 300 # 1 Inch  
RB2 - Raised Face Flange 300 # 2 Inch  
LFS - Low Flow Sensor  
S76 - SP76 Sensor  
SPL - Special

**Code - Sensor Material**

S6 - 316L Stainless Steel (std)  
S4 - 304 Stainless Steel  
SL - 304L Stainless Steel  
HB - Hastelloy B  
HC - Hastelloy C  
IO - Inconel 600  
MN - Monel  
A2 - Alloy 20  
SM - Special Material

**Code - Insertion Length**

002.00 - 2.00 Inch (std)  
000.00 - 0.50" to 120.00" in .25 Increments  
000.00 - Custom Length

**Code - Power Input**

FLD - Field Configurable (Versa only)  
110 - 110 VAC  
220 - 220 VAC  
24D - 24 VDC  
24A - 24 VAC

**Code - Configuration**

PM - Plate Mount (std)  
DM - DIN Rail Mount

**Code - Special Options**

00 - No Special Option  
CB - Calibration Required  
VI - Variable Insertion  
LT - Live Tap  
FA - Failure Alarm (VS5100 only)  
QD - Cable Quick Disconnect  
SR - Cable Strain Relief  
RT - RTD Output  
TO - Thermocouple Output  
CA - Additional PVC Cable

VS51SK- 075-S6-002.00- LD - PM - 00 **Model Number**

Represented In Your Area By